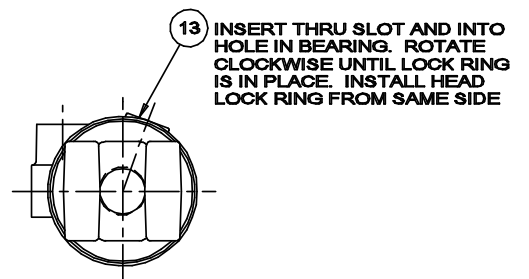
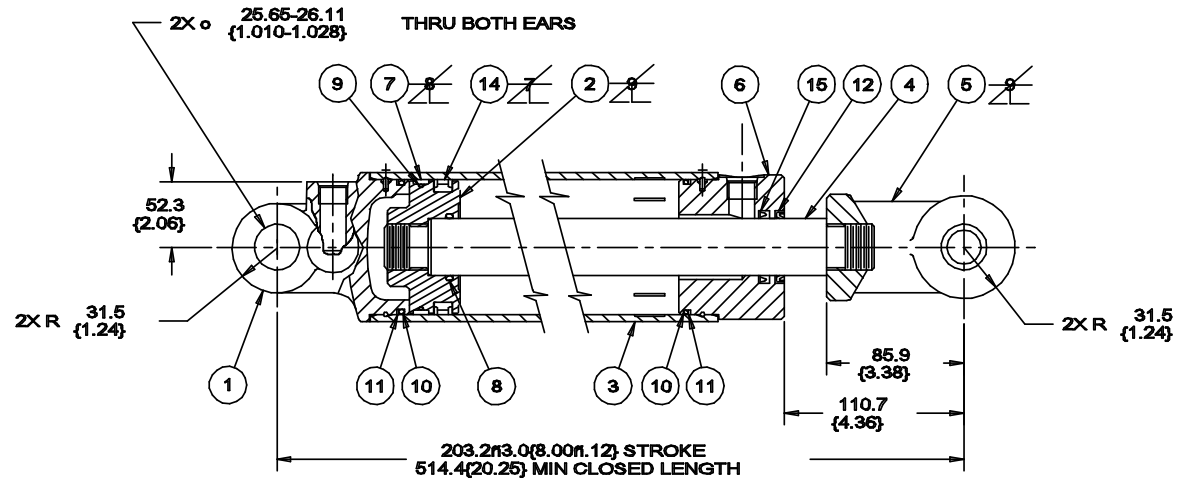
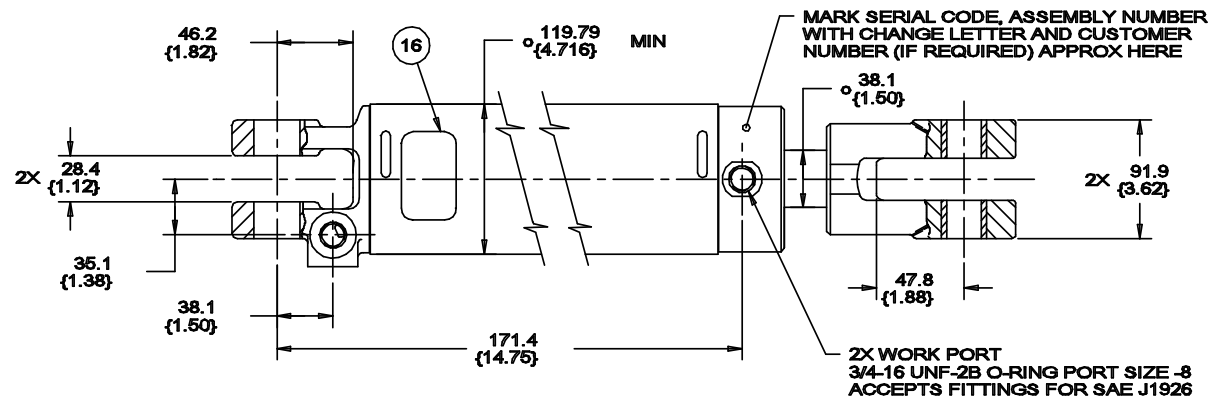


REV	DESCRIPTION	BY	DATE	EON
A	ENGINEERING RELEASE	PED	11-2-95 M/P	M14366



- NOTE
- 1 TEST PER SPEC 209-207
 - 2 RATED PRESSURE IS 172.4 bar (2500 lbf/in²)
 - 3 PAINT RED PER SPEC 209-13C
 - 4 CUSTOMER NAME - BOURGAULT
 - 5 CUSTOMER NUMBER - 3301-35
 - 6 SEAL REPAIR KIT NUMBER - 58420-904
 - 7 BACK UP WASHERS TO BE INSTALLED WITH CHAMFER FACING TOWARDS SEAL
 - 8 GAP IN WEAR RING TO BE INSTALLED 90° TO PIN HOLE IN ROD END AND TOWARDS LOCK RING SLOT IN BARREL
 - 9 TORQUE TO 475-515 N.m (350-380 lbf.ft)

-	SHPNG PLUG (NOT SHOWN)	16096-108	2
16	LABEL	58025-19	1
15	ROD SEAL	16184-228	1
14	PISTON SEAL	58023-8	1
13	LOCK RING	16098-134	2
12	WIPE SEAL	16074-225	1
11	BACK-UP WASHER	16012-220	2
10	O-RING	16004-20	2
9	O-RING	16015-52-90	1
8	O-RING	16003-27-90	1
7	WEAR RING	16283-134	1
6	BEARING	58009-424N	1
5	ROD END	58030-1403	1
4	PISTON ROD	58006-1426	1
3	BARREL	58004-4208	1
2	PISTON	58022-8	1
1	HEAD	58001-420	1

ITEM NO.	PART NAME	PART NO.	NO. REQ'D
----------	-----------	----------	-----------

BOURGAULT PART # 3301-35

<input type="checkbox"/> LARGE DIMENSIONS <input type="checkbox"/> DIMENSIONS ARE IN <input type="checkbox"/> MILLIMETERS <input checked="" type="checkbox"/> INCHES	DRAWING BASED ON ANSI Y14.5M-1982 NOTICE TO PERSONS RECEIVING THIS DRAWING AND/OR TECHNICAL INFORMATION Eaton Corporation retains proprietary rights in the information disclosed herein. This document is loaned to you in confidence and is not to be reproduced or used in manufacture without the express written permission of Eaton Corporation.		
TOLERANCES UNLESS OTHERWISE SPECIFIED: FRACTIONS .0005 DECIMALS .01 ANGLES .01 HOLE POSITION .015 HOLE DIRECTION .015 HOLE LOCATION .015 HOLE TOLERANCE .015 HOLE POSITION TOLERANCE .015 HOLE LOCATION TOLERANCE .015 HOLE TOLERANCE .015 HOLE POSITION TOLERANCE .015 HOLE LOCATION TOLERANCE .015	DATE PED 11-2-95 DATE M/P 11-14-95 DATE JEK 11-14-95	MATERIALITY NOTED TITLE ø108.0(4.25) WYR LOC CYL ASSY	
<input type="checkbox"/> DO NOT SCALE	<input type="checkbox"/> UNLESS OTHERWISE SPECIFIED <input type="checkbox"/> UNLESS OTHERWISE SPECIFIED <input type="checkbox"/> UNLESS OTHERWISE SPECIFIED <input checked="" type="checkbox"/> UNLESS OTHERWISE SPECIFIED	PART NO. 58424-NAB QTY NONE UNIT 1 of 1	