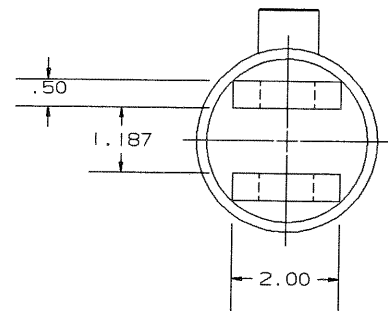
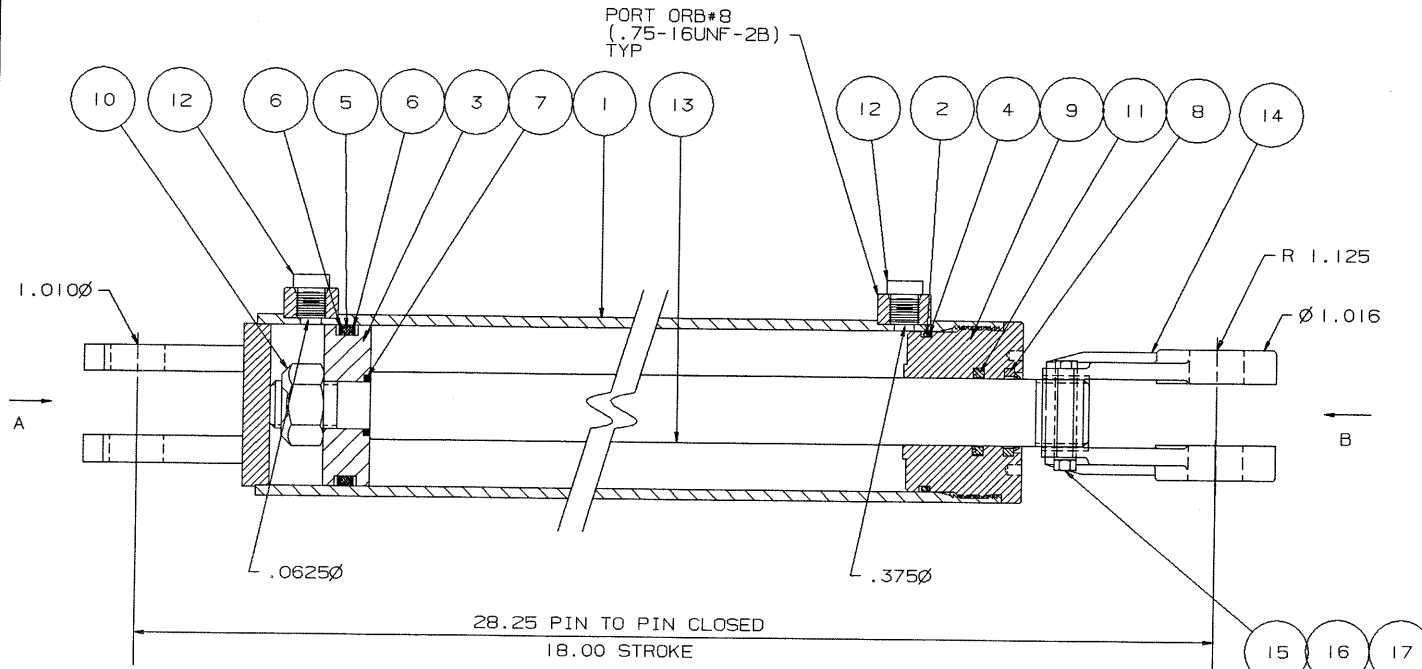
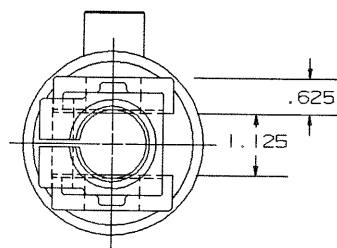


DO NOT SCALE DRAWING



VIEW ON "A"



VIEW ON "B"

NO.	REVISION	BY	APP.	DATE
1	BOURGAULT #3300-25 WAS 3300-20	AR	APN	11/28/94

11	U CUP ROD 1.50 X 1.625 X .187	9419011	1
10	NUT LOCK UNITORQ .875-14UNF	9857848	1
9	HEAD THD 3.00 X 1.25 SNAP	9731407	1
8	WIPER SNAP 1.25 X 1.625	9221839	1
7	O RING BN 1.125 X .875	9402124	1
6	BU WASHER 3.00 X 2.625	9425620	2
5	O RING BN 3.00 X 2.625	9403346	1
4	BU WASHER 3.00 X 2.75	9424789	1
3	PISTON 3.00 X .875	9700105	1
2	O RING BN 3.00 X 2.75	9402322	1
1	TUBE 3018 BOURGAULT	9387689	1

DET.	DESCRIPTION	ITEM No.	QTY.
------	-------------	----------	------

UNLESS OTHERWISE SPECIFIED TOLERANCES FOR NONLIMITED DIMENSIONS

.X ± .060
.XX ± .030
.XXX ± .010

ANGULAR ± 1°

SURFACE FINISH: 125/

DR'N	AR	DATE	05/11/94
CHK'D	APN	DATE	05/11/94
APP'D	APN	DATE	05/11/94

shur-lift

INDUSTRIES LTD.

481 PANET ROAD WINNIPEG, CANADA R2C 2Z1

PH. (204) 687-4630
FAX (204) 688-4530

20	DECAL PAL SERIAL #	9161027	
19	SEAL KIT 3.00 X 1.25 X .875 THD	9348319M	
18	PAINT BOURGAULT RED	9139510	
17	BOLT HEX .375-16 UNC X 2.25 LG	9803842	1
16	WASHER LOCK SPLIT REG .375 PTD	9853359	1
15	NUT HEX .375-16 UNC GR2 PTD	9856618	1
14	CLEVIS RD 1.016 X 1.25-12 UNF	9709098	1
13	SHAFT 3018 BOURGAULT	9397514	1
12	PORT PLUG PLASTIC THD ORB#8	9342700	2
DET.	DESCRIPTION	ITEM No. QTY.	

THIS DRAWING IS THE PROPERTY OF SHUR-LIFT IND. LTD. AND IS BEING SUPPLIED FOR QUOTATION AND/OR FABRICATION PURPOSES ONLY - AS REQUIRED OR REQUESTED BY SHUR-LIFT IND. LTD. THIS DRAWING AND INFORMATION CONTAINED ON THE SAME MUST NOT BE USED FOR ANY OTHER PURPOSE THAN THAT INTENDED - NOR IN ANY OTHER MANNER THAT MAY PROVE DETRIMENTAL TO THE INTERESTS OF SHUR-LIFT IND. LTD.

END PRODUCT DESCRIPTION

CYL 3018 BOURGAULT BOURGAULT #3300-25

SCALE	1:2	ITEM NO.	9997628P	REV	1
DWG SIZE	B-	SHEET CONT.	ON		

P	Sk	D
---	----	---

3300-25