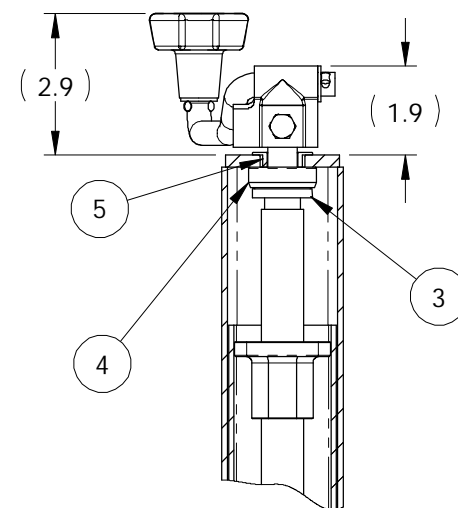
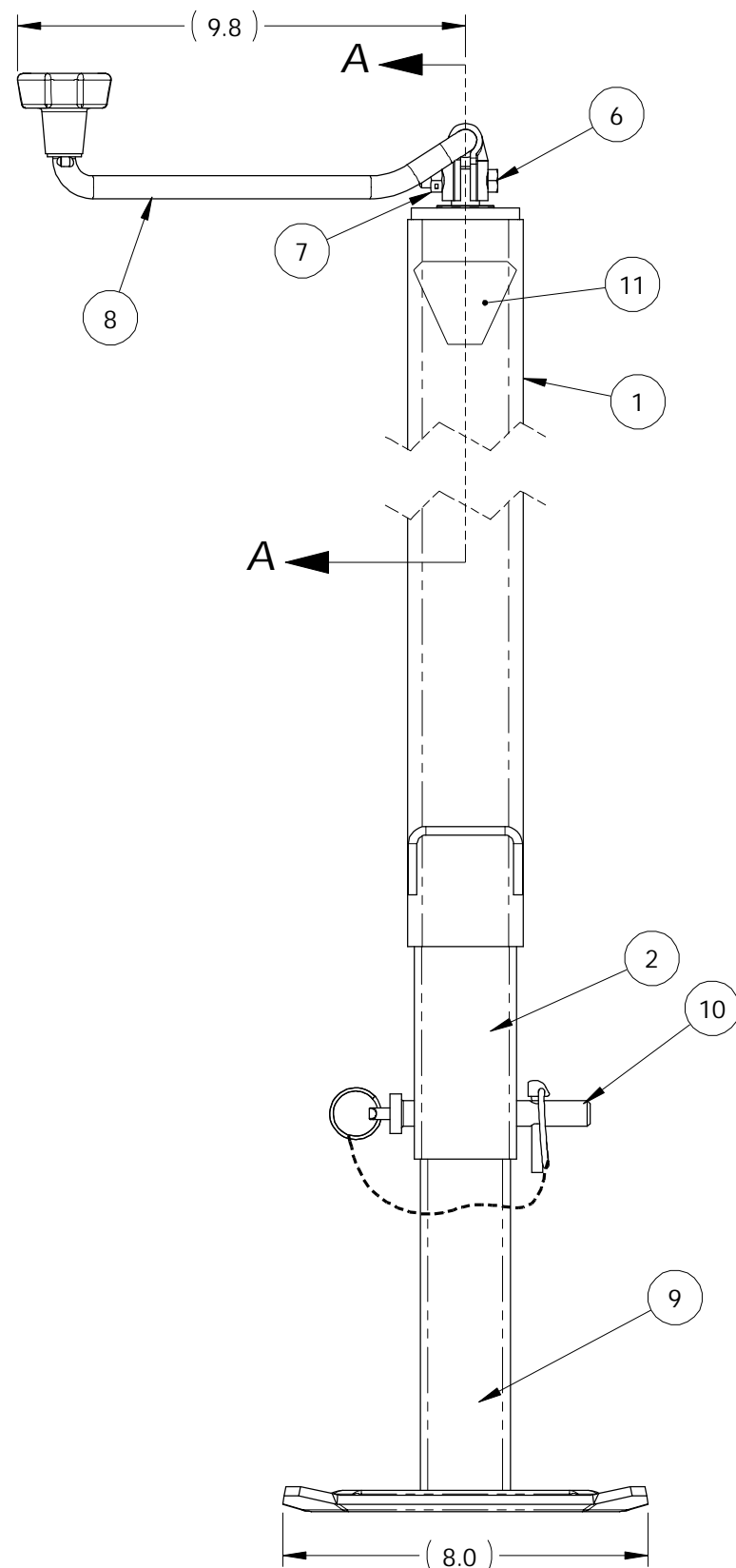
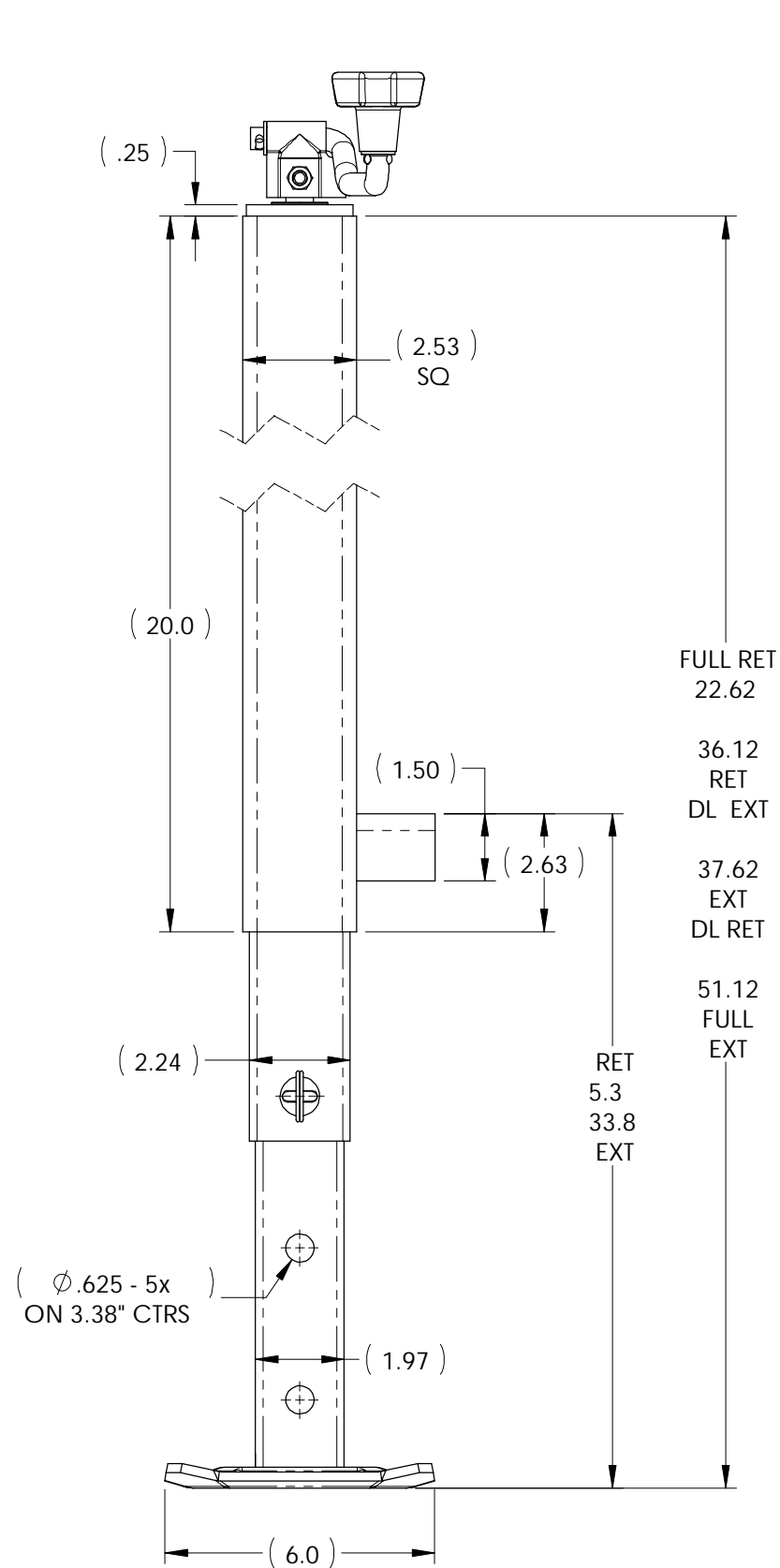


ITEM	PART NO.	DESCRIPTION	QTY
1	1015501	OUTER TUBE & MT- 20"	1
2	710634	INNER TUBE / S&N 21.38" TW	1
3	016146	WASHER, SUPPORT 5K SQ. .179 THK.	1
4	001020	THRUST BEARING	1
5	021273	BUSHING, PM .630" ID, HEX	1
6	002006	BOLT, HEX HEAD (5/16-18 X 1.5")	1
7	008012	NUT, 5/16-18 UNC HEX LOCK	1
8	1052127	CRANK ASSEMBLY - 9.0" TW	1
9	701340	DROP LEG ASSY-17.5" WLD	1
10	701472	PULL PIN ASSY	1
11	F3343	LABEL, BULLDOG CAPACITY 5/8K	1



SECTION A-A

OUTER TUBE - 20.0"
 FINISH -01 CLEAR ZINC
 INNER TUBE - 21.38"
 FINISH -01 CLEAR ZINC
 SCREW - 7/8-8 X 18.72"
 DROPLEG - 17.5"
 FINISH -01 CLEAR ZINC
 TRAVEL - 15.0"
 DROPLEG TRAVEL - 13.50"
 CAPACITY
 STATIC- 8000 LBS.
 LIFT- 5000 LBS.
 ALL DIMS. ARE REF. ONLY

BOURGAULT P/N: 2090-37
DESCRIPTION: JACK HCH TOPWIND 7000#

THIS DRAWING IS THE PROPERTY OF CEQUENT TRAILER PRODUCTS, ALL INFORMATION THEREON IS CONFIDENTIAL AND MUST NOT BE MADE PUBLIC, NOR COPIED, NOR USED TO THE DISADVANTAGE OF CEQUENT TRAILER PRODUCTS, AND IS SUBJECT TO RETURN ON DEMAND.		
DIMENSIONAL TOLERANCES UNLESS OTHERWISE SPECIFIED: DECIMALS: .X = ± 0.060 .XX = ± 0.030 .XXX = ± 0.010 ANGULAR = ± 0.5	DRAWN JJA	DATE 06/23/05
	SCALE 1:4	HEAT TREAT N/A
	FINISH N/A	
DIMENSIONS ARE IN INCHES	MATERIAL NOTED	SIZE B
DO NOT SCALE DRAWING		DRAWING NUMBER 190733

	1050 Indianhead Dr. Mosinee, WI 54455 PH (715) 693-1700 FX (715) 693-1799	
	DRAWING TITLE TWL 190DL-BQX JACK ASSY	
REVISION	DESCRIPTION	REVISION
RE	RELEASED	9997 JJA 06/23/05
ECO	BY	DATE

RE	RELEASED	9997	JJA	06/23/05
REV.	DESCRIPTION	ECO	BY	DATE